

PARTS LIST

Model: XG30MA



MARUYAMA MFG. CO., INC.

4-15, Uchikanda, 3-Chome,
Chiyoda-ku, Tokyo 101-0047

Japan

PHONE +81-3-3252-2285

FAX +81-3-3252-2253

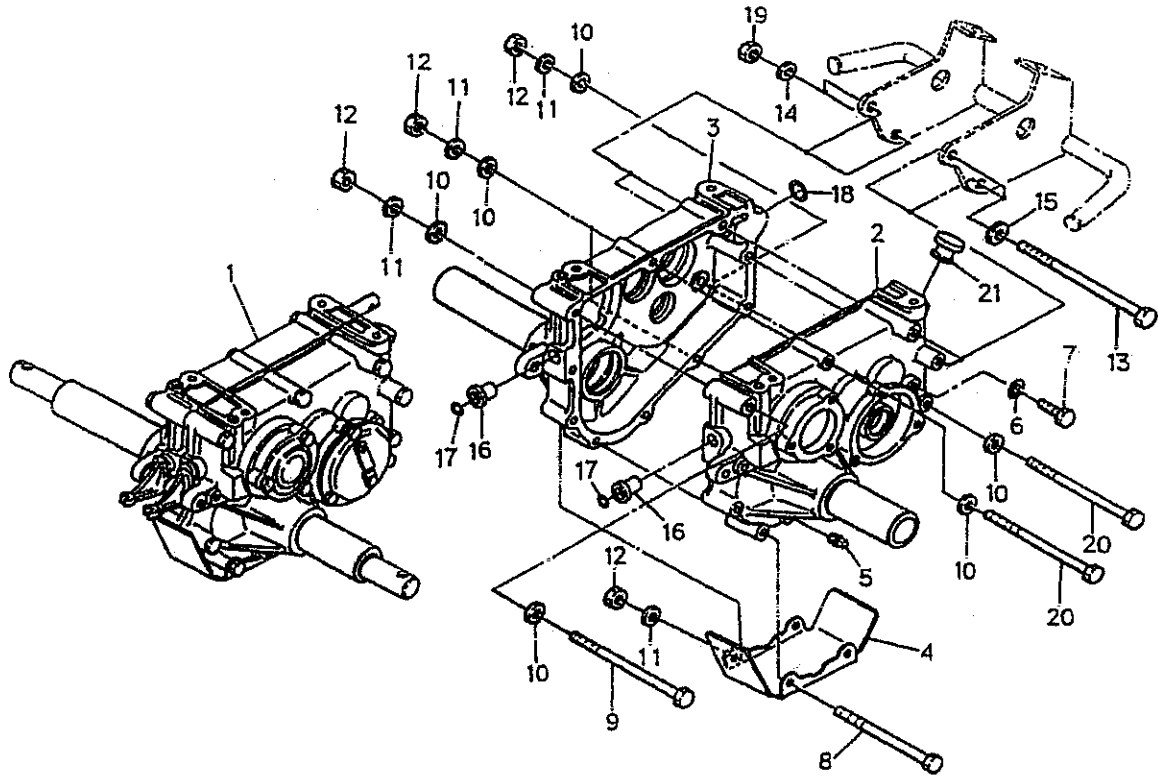
<http://www.maruyama.co.jp>

INDEX

(Model XG30MA)

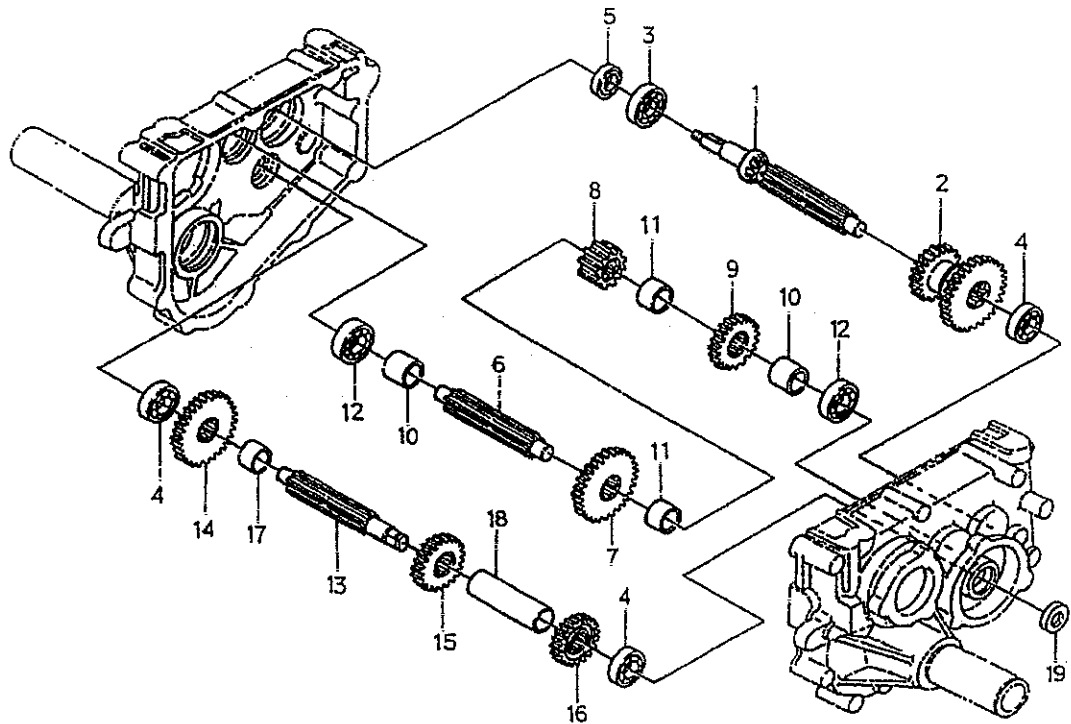
Transmission (No. 1)	Page 1
Transmission (No. 2)	Page 2
Transmission (No. 3)	Page 3
Transmission (No. 4)	Page 4
Transmission (No. 5)	Page 5
Transmission (No. 6)	Page 6
Frame (No. 1)	Page 7
Frame (No. 2)	Page 8
Frame (No. 3)	Page 9
Side Door (XG30MA)	Page 10
Roller, Crawler (No. 1)	Page 11
Roller, Crawler (No. 2)	Page 12
Engine	Page 13
Driving (No. 1)	Page 14
Driving (No. 2)	Page 15
Lever, Cover (No. 1)	Page 16
Lever, Cover (No. 2)	Page 17
Lever, Cover (No. 3)	Page 18
Lever, Cover (No. 4)	Page 19
Lever, Cover (No. 5)	Page 20

TRANSMISSION (No. 1)



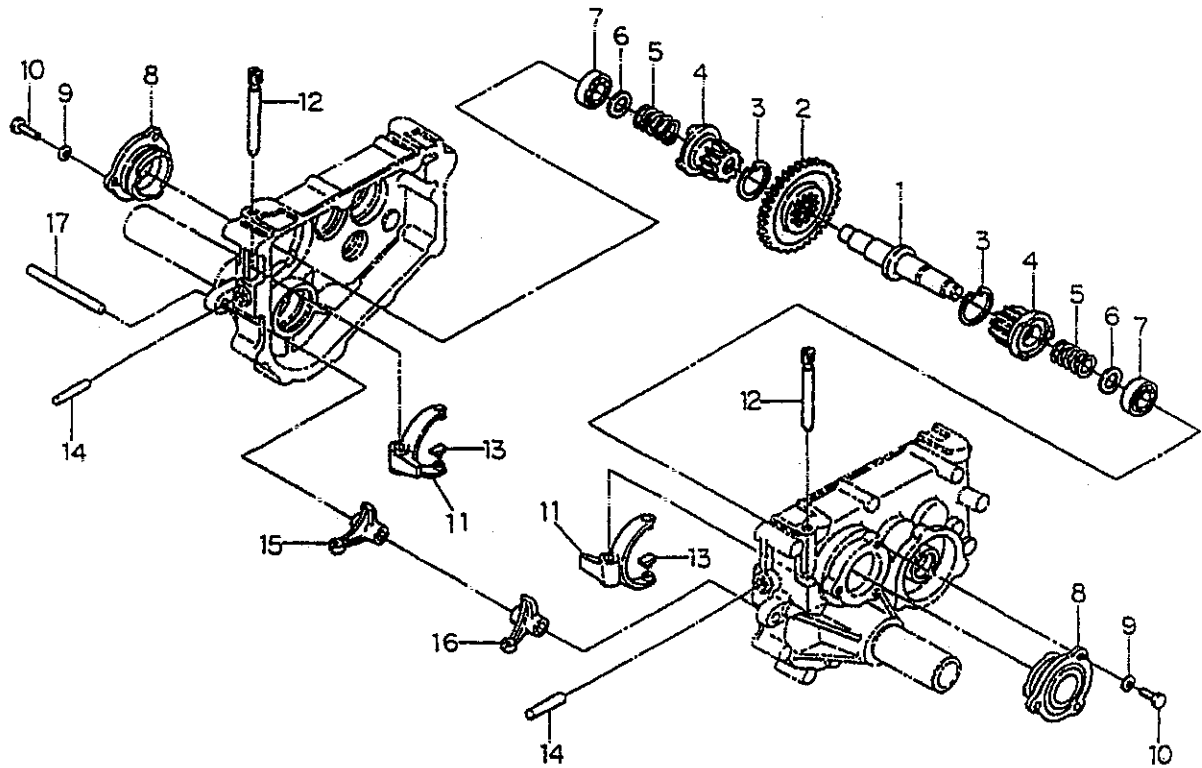
No.	Part No.	Part Description	Q'ty
1	0337-100-400-0	Transmission ASSY	1
2	0337-110-200-0	Gear case (L) COMP	1
3	0337-110-210-0	Gear case (R) COMP	1
4	0343-115-011-0	Under guard	1
5	3614-101-005-0A	Plug	1
6	V720-101-900-6	O ring P6	1
7	V200-260-601-0	Bolt M6 x 10	1
8	V201-260-809-0	Bolt M8 x 90	3
9	V201-260-812-5	Bolt M8 x 125	1
10	V411-260-008-0	Washer 8	10
11	V401-160-008-0	Spring Washer 8	7
12	V304-260-008-0	Nut M8	7
13	V201-261-016-0	Bolt M10 x 160	2
14	V401-160-010-0	Spring Washer 10	2
15	8935-058-026-0A	Washer for spring	2
16	3740-111-030-0	Push rod metal	2
17	V720-101-901-0	O ring P10	2
18	V720-102-401-6	O ring P16	1
19	V304-260-010-0	Nut M10	2
20	V201-260-811-5	Bolt M8 x 115	3
21	3560-102-029-1A	Oil cap	1

TRANSMISSION (No. 2)



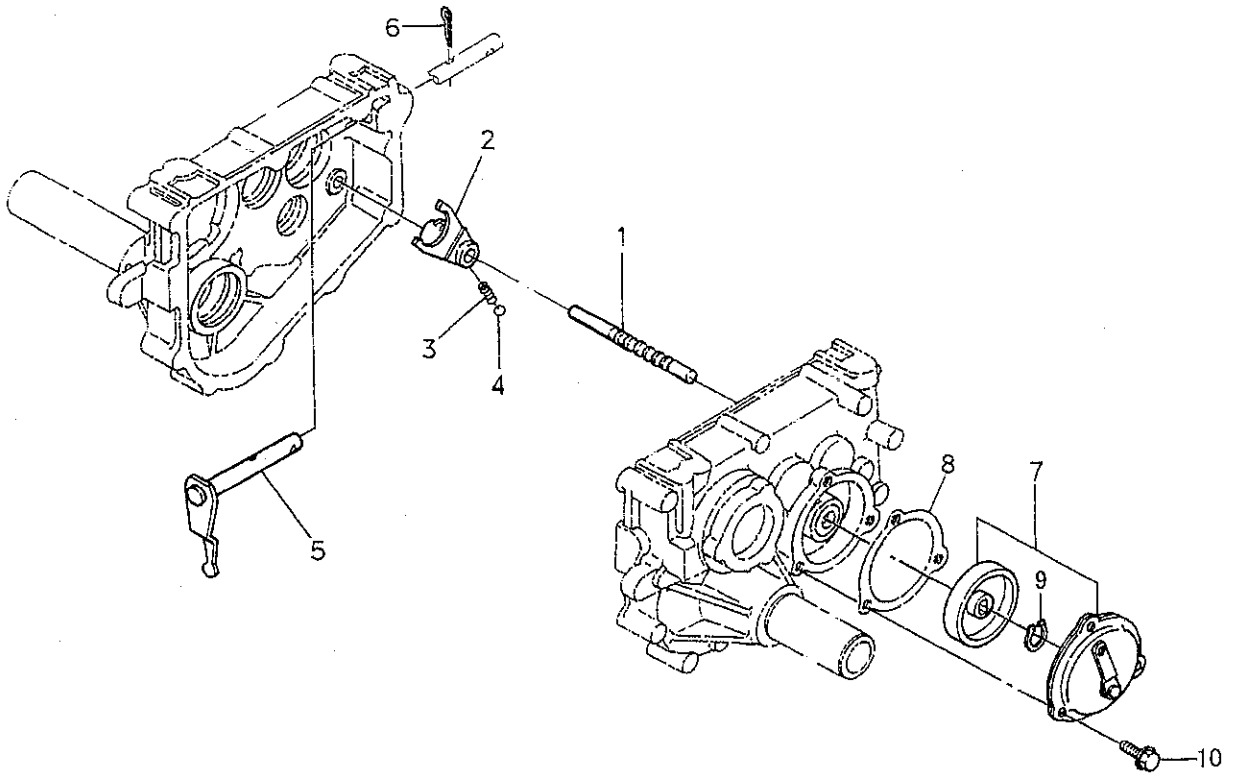
No.	Part No.	Part Description	Q'ty
1	0337-110-015-0B	Input shaft (A)	1
2	0337-110-016-0B	Change gear (25-37)	1
3	V600-110-630-3	Bearing 6303	1
4	V600-110-620-2	Bearing 6202	3
5	V744-117-350-8	Oil seal TC17358	1
6	0337-110-017-0A	Counter shaft (A)	1
7	0337-110-018-0	Counter gear 45(A)	1
8	0337-110-019-0	Counter gear 10(A)	1
9	0337-110-021-0	Counter gear 33(A)	1
10	0337-110-022-0A	Collar (15)	2
11	0337-110-023-0A	Collar (11)	2
12	V600-110-620-3	Bearing 6203	2
13	0337-110-024-0A	Back counter shaft (A)	1
14	0337-110-025-0	Back gear 43(A)	1
15	0337-110-026-0	Back gear 31(A)	1
16	0337-110-027-0	Back gear 31(A-2)	1
17	0337-110-028-0A	Collar (8)	1
18	0337-110-029-0A	Collar (55)	1
19	V744-115-300-7	Oil seal TC15307	1

TRANSMISSION (No. 3)



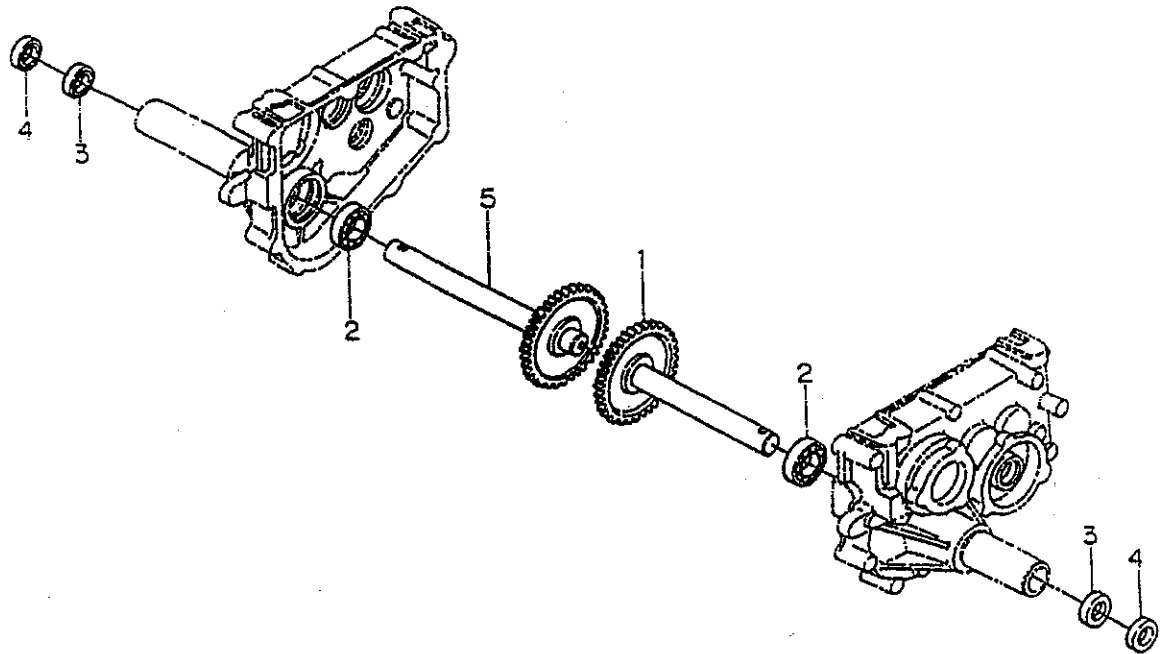
No.	Part No.	Part Description	Q'ty
1	0317-110-012-1A	Side clutch shaft (195)	1
2	0317-110-013-1	Center gear (195)	1
3	V705-140-037-0	Snap ring (hole) 37	2
4	0337-110-012-0	Clutch gear (250)	2
5	3740-111-023-0A	Clutch spring	2
6	3740-111-024-0	Clutch spring holder	2
7	V600-110-620-3	Bearing 6203	2
8	0317-110-015-0A	Brake metal	2
9	V401-160-008-0	Spring washer 8	6
10	3737-111-031-0	Bolt (seal lock)	6
11	3100-107-001-0	Shifter arm	2
12	0343-110-014-0A	Shifter arm pin	2
13	2703-101-020-0	Shifter collar	4
14	3740-111-029-0	Side clutch bush rod	2
15	3740-111-049-0	Side clutch arm (L)	1
16	3740-111-050-0	Side clutch arm (R)	1
17	0312-630-238-0	Pin (12 x 90)	1

TRANSMISSION (No. 4)



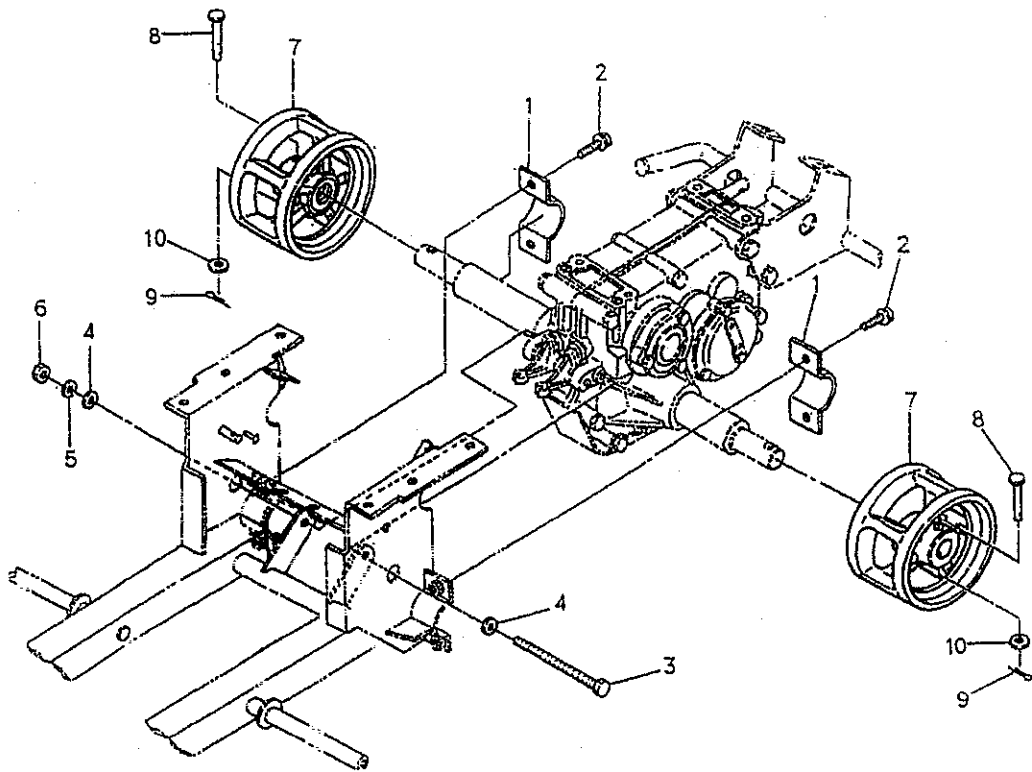
No.	Part No.	Part Description	Q'ty
1	0337-110-031-0	Change shifter rod (A)	1
2	0337-110-032-0	Change shifter (A)	1
3	1122-231-016-0B	Spring (HC020)	1
4	V682-200-000-8	Steel ball 1/4	1
5	0337-110-400-0	Change arm (A)COMP	1
6	V500-164-003-0	Split pin 4 x 30	1
7	0337-110-500-1A	Brake (62)ASSY	1
8	0337-110-051-1A	Packing	1
9	V704-140-014-0	Snap ring (jig)14	1
10	V211-260-802-0	Bolt (S) M8 x 20	3

TRANSMISSION (No. 5)



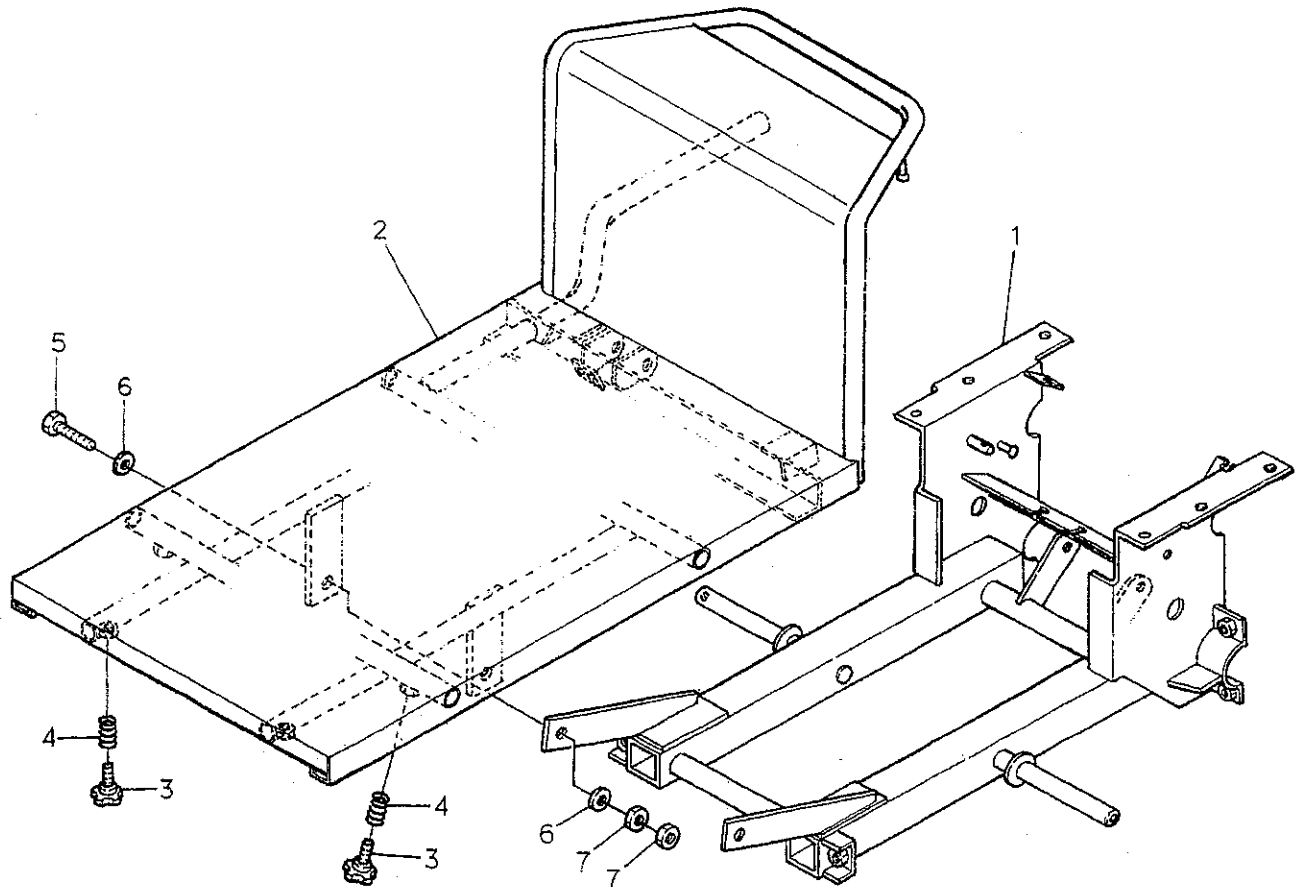
No.	Part No.	Part Description	Q'ty
1	0337-111-200-0	Wheel shaft (L)COMP	1
2	V600-110-620-5	Bearing 6205	2
3	V744-125-350-7	Oil seal TC25357	2
4	V742-125-350-5	Oil seal VC25355	2
5	0337-111-210-0	Wheel shaft (R)COMP	1

TRANSMISSION (No. 6)



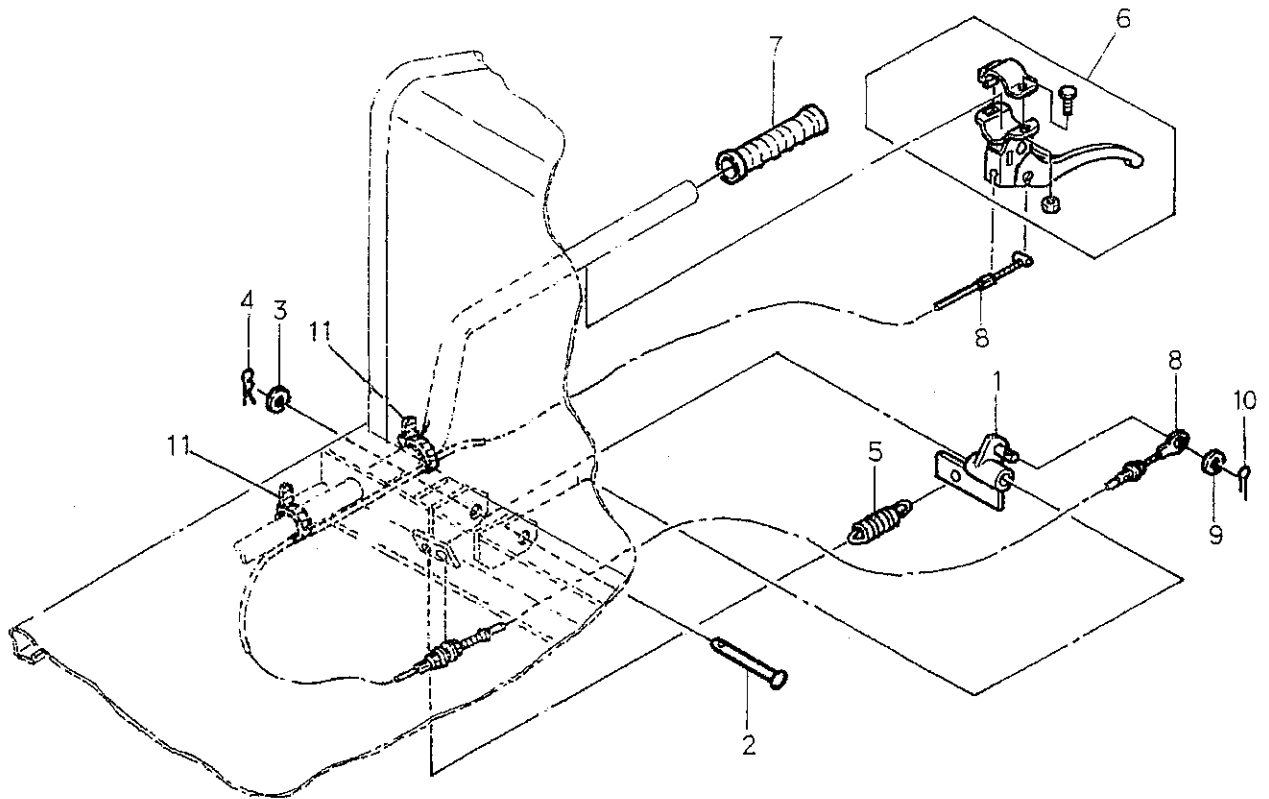
No.	Part No.	Part Description	Q'ty
1	0331-210-213-1A	Pipe holder	2
2	V211-261-002-5	Bolt(S) M10 x 25	4
3	V201-260-812-5	Bolt M8 x 25	1
4	V411-260-008-0	Washer 8	2
5	V401-100-008-0	Spring washer 8	1
6	V303-200-008-0	Nut M8	1
7	0337-120-011-1B	Sprocket	2
8	0337-120-012-1A	Pin (10 x 69)	2
9	V500-162-501-5	Split pin (2.5 x 15)	2
10	V410-260-010-0	Washer 10	2

FRAME (No. 1)



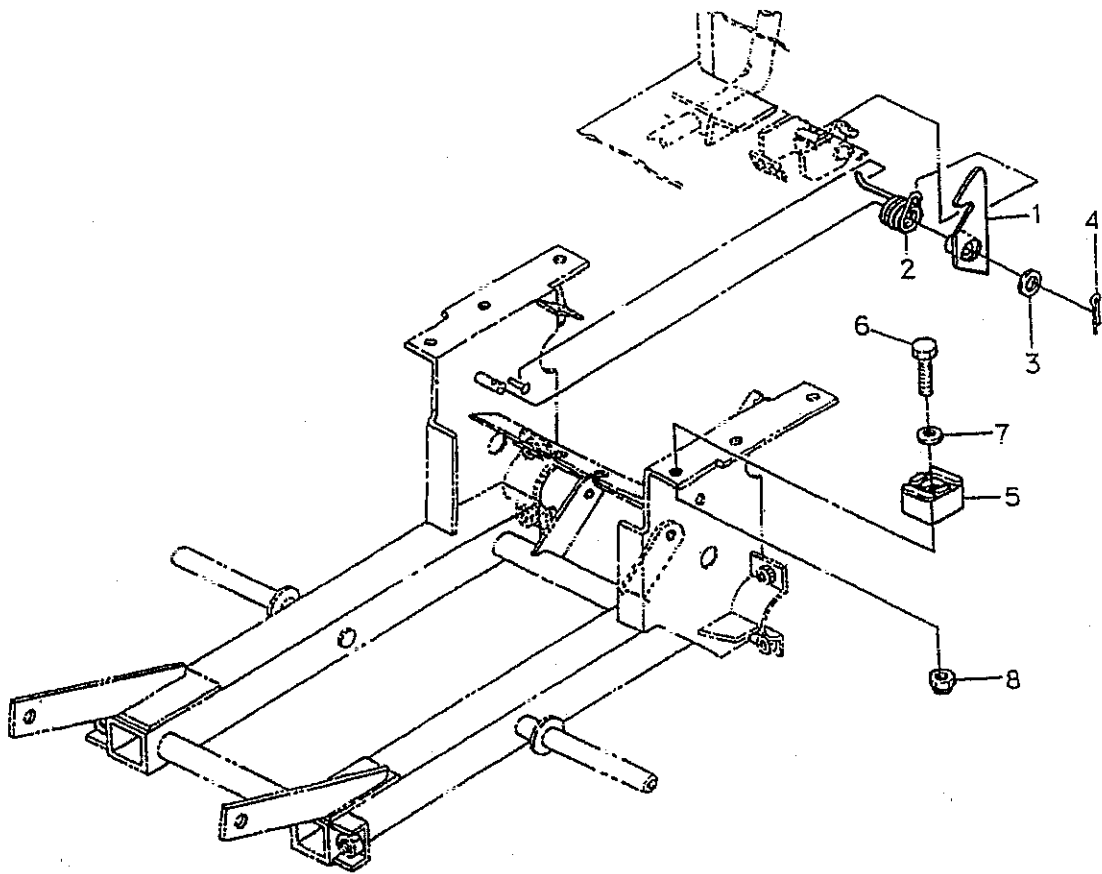
No.	Part No.	Part Description	Q'ty
1	0337-212-200-0A	Frame (A)COMP	1
2	0337-254-300-0	Carrier (A)COMP	1
3	4201-220-019-0A	Set knob (M8 x 20)	4
4	8935-001-064-0	Crank pin spring	4
5	V201-261-205-0	Bolt M12 x 50	2
6	V411-260-012-0	Washer 12	4
7	V300-260-012-0	Nut M12	4

FRAME (No. 2)



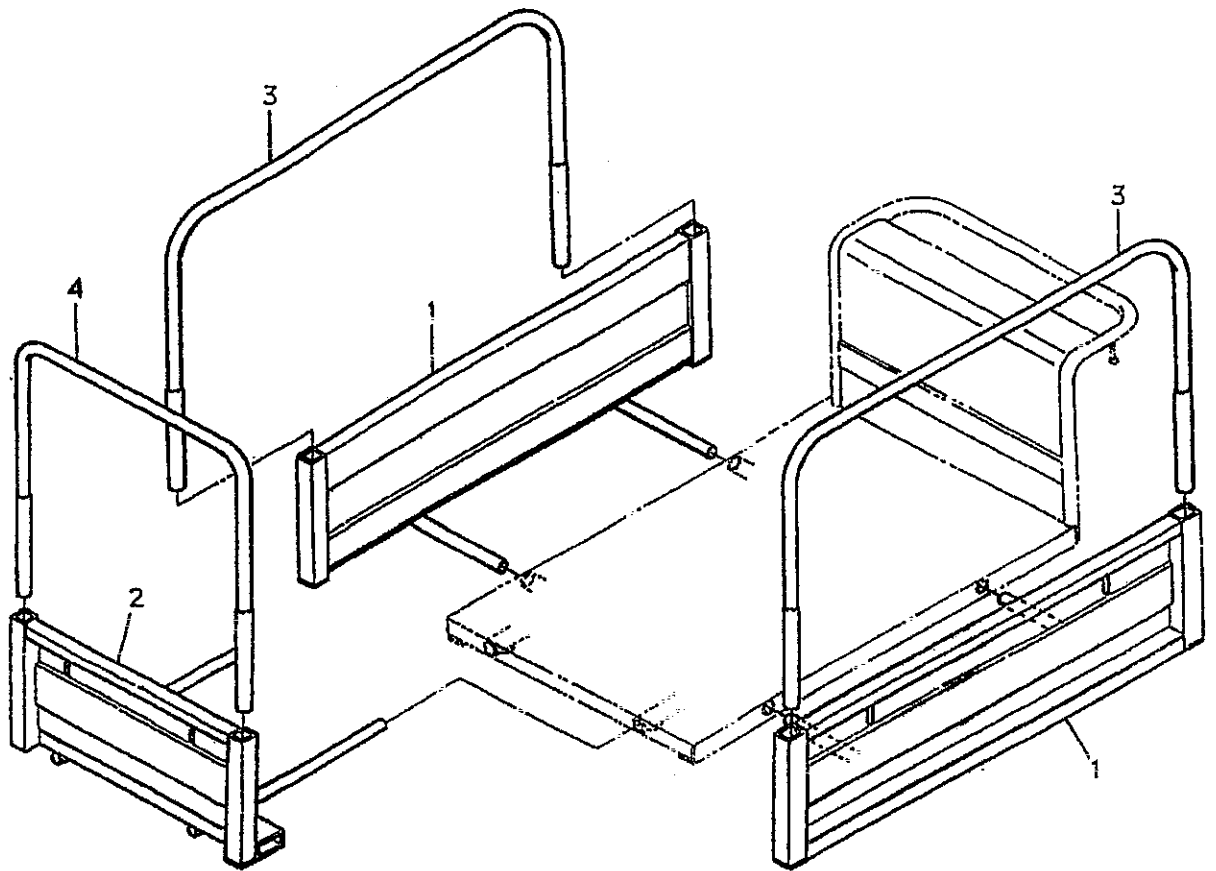
No.	Part No.	Part Description	Q'ty
1	0337-254-220-0	Lock arm	1
2	0337-120-012-1A	Pin (10 x 69)	1
3	V411-260-020-0	Washer 10	1
4	8935-009-013-0	Hair pin for wire hook	1
5	8935-004-048-0	Cover spring	1
6	1122-425-210-0A	Lever ASSY	1
7	1106-330-012-1A	Handle grip 25	1
8	0337-254-230-0A	Cable (hand dump)	1
9	V411-260-006-0	Washer 6	1
10	V500-162-501-5	Split pin 2.5 x 15	1
11	3536-142-006-1	Wire fixing metal	2

FRAME (No. 3)



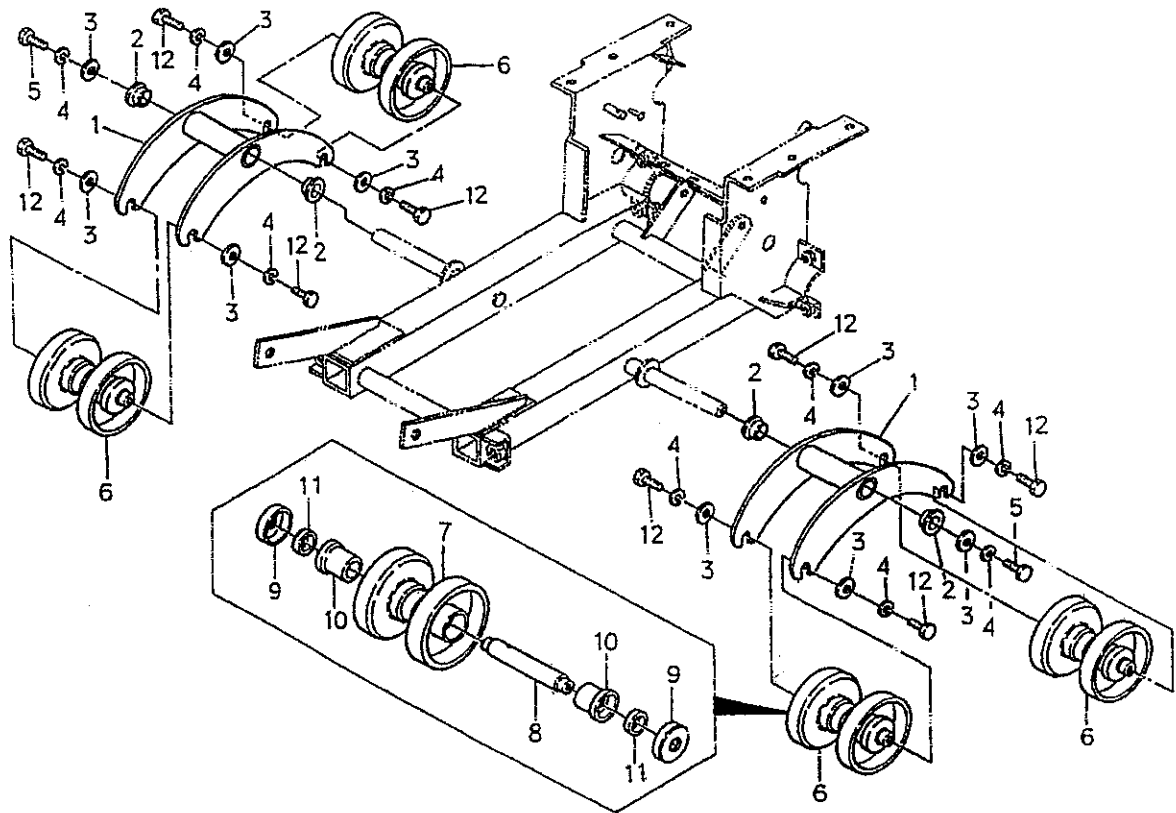
No.	Part No.	Part Description	Q'ty
1	0337-255-200-1A	Fook lever (A) COMP	1
2	8935-004-013-0	Clutch return spring	1
3	8935-005-021-0	Clutch tension washer	1
4	V500-163-002-5	Split pin 3 x 25	1
5	0331-250-013-0	Stopper H22	2
6	V201-260-803-0	Bolt M8 x 30	2
7	V411-260-008-0	Washer 8	2
8	1122-725-012-0	U-nut (M8)	2

SIDE DOOR



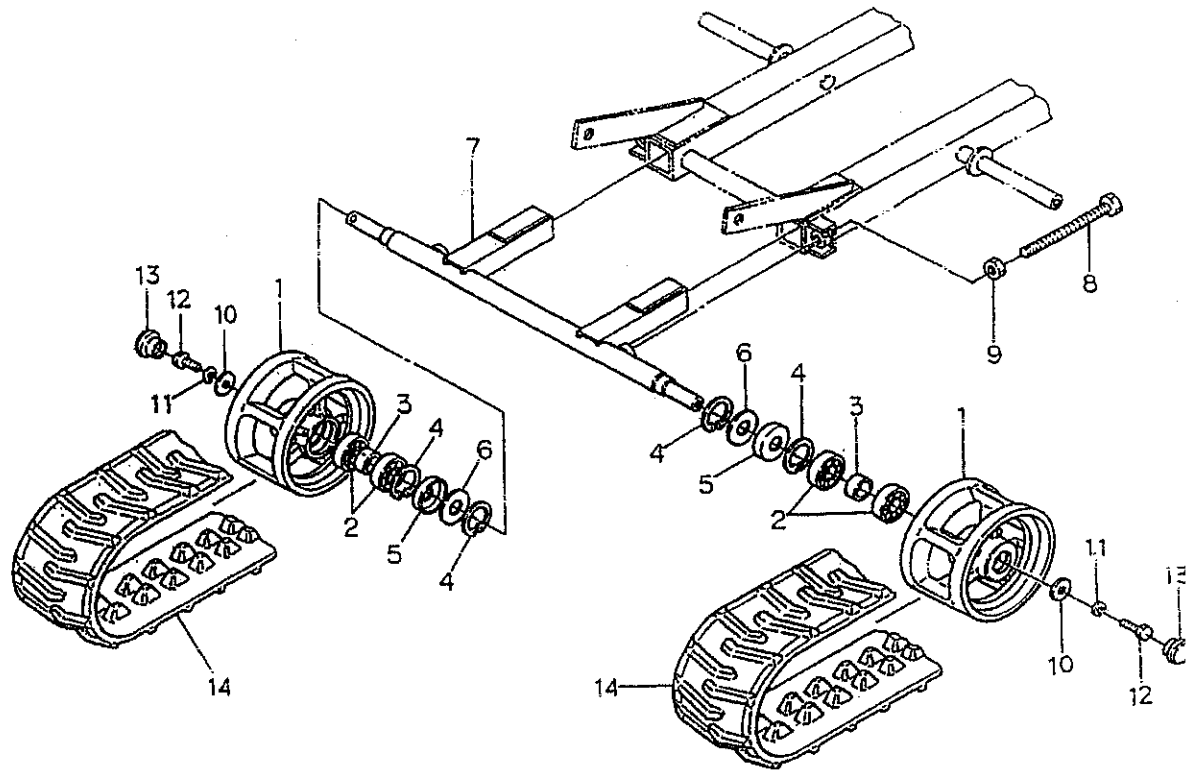
No.	Part No.	Part Description	Q'ty
1	0337-260-200-2B	Side door	2
2	0337-260-210-0	Front door	1
3	0337-260-220-0	Increase side frame	2
4	0337-260-230-0	Increase front frame	1

ROLLER, CRAWLER (No. 1)



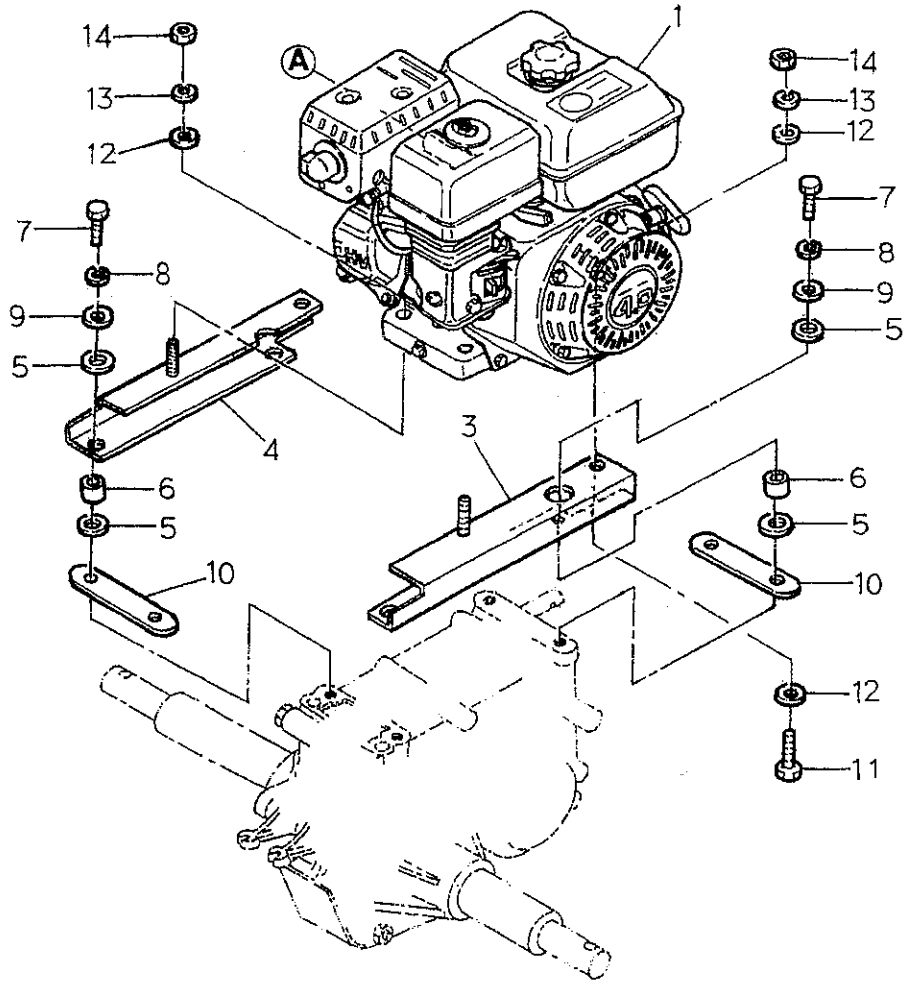
No.	Part No.	Part Description	Q'ty
1	0663-310-200-0	Equalizer (RBX)COMP	2
2	0312-240-013-0	Bush (25 x 28 x 25)	4
3	3768-361-029-0	Metal washer 10	10
4	V401-160-010-0	Spring washer 10	10
5	V201-461-002-5	Bolt M10 x 25 9T	2
6	0337-310-210-0C	VIV Roller 120 ASSY	4
7	0337-310-220-1B	Roller 120 COMP	4
8	0337-310-211-0A	Roller jig (120)	4
9	0337-310-212-0A	Dust cover-A	8
10	0337-310-213-1A	Bush	8
11	0337-310-214-1A	Oil seal	4
12	V203-461-002-5	Bolt (fine) M10x1.25x25 9T	8

ROLLER, CRAWLER (No. 2)



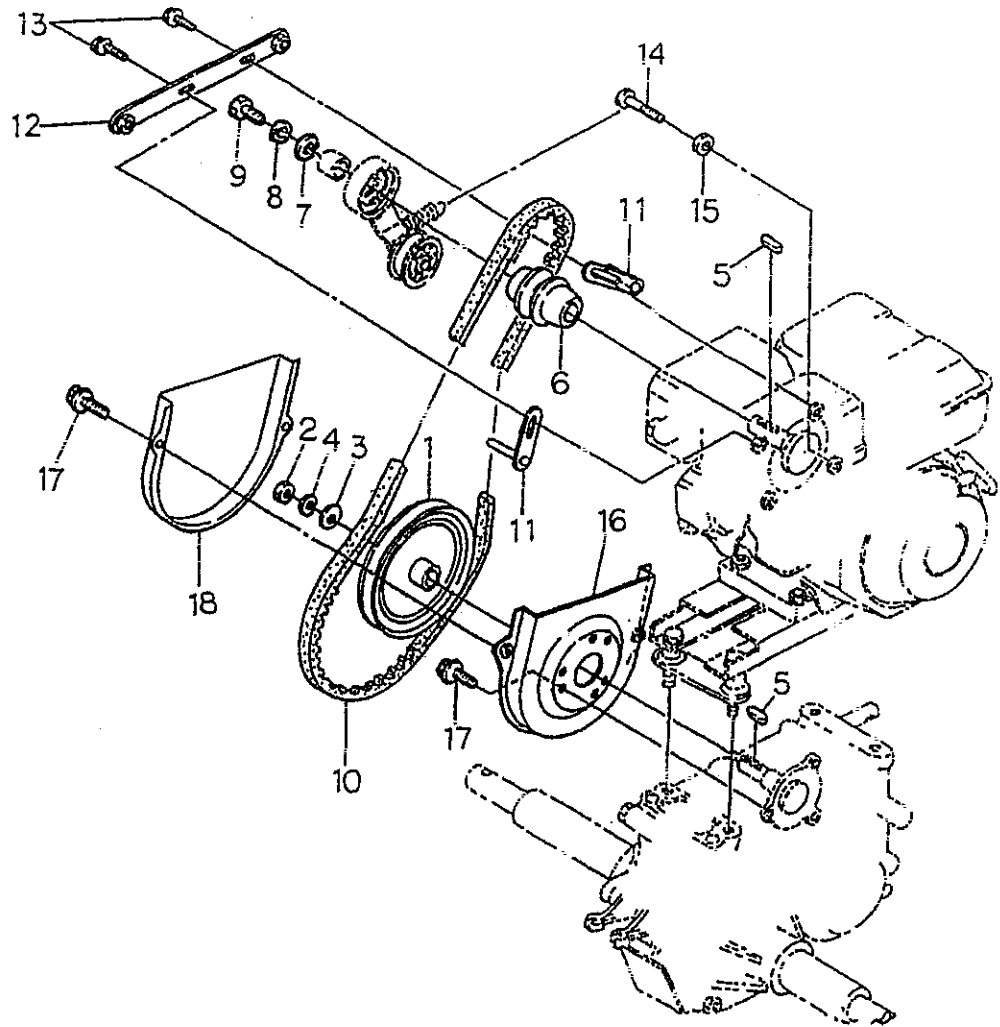
No.	Part No.	Part Description	Q'ty
1	0337-330-011-2C	Idle roller	2
2	V600-110-620-4	Bearing 6204	4
3	0337-330-012-0	Idle roller collar	2
4	V705-140-047-0	Snap ring (hole) 47	4
5	V744-125-470-8	Oil seal TC25478	2
6	0337-330-013-0	Dust seal (25 x 47)	2
7	0337-340-200-3D	Tension jig COMP	1
8	0342-340-012-0	Idle set bolt	2
9	V303-260-016-0	Nut M16	2
10	4203-530-024-0	Washer (8 x 28 x 4.5)	2
11	V401-160-008-0	Spring washer 8	2
12	3737-111-031-0	Lock bolt M8 x 22	2
13	2703-501-018-0A	Cap	2
14	0337-350-011-0A	Crawler (170 x 28 x 72)	2

ENGINE

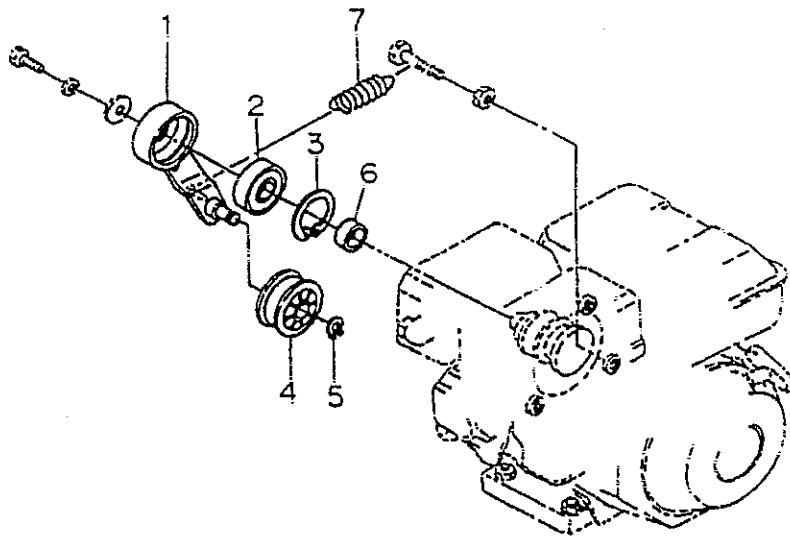


No.	Part No.	Part Description	Q'ty
1	0337-412-200-0	Engine (GX120H-M)	1
2		(OPTION)	
3	0337-422-200-1A	Engine base GX(L)COMP	1
4	0337-422-210-1A	Engine base GX(R)COMP	1
5	0337-422-013-0	Rubber washer (27)	8
6	0337-422-012-0	Collar (12)	4
7	V201-261-003-5	Bolt M10 x 35	4
8	V401-160-010-0	Spring washer 10	4
9	3780-121-002-0	Tension washer	4
10	0337-422-014-0	Plate for rubber	2
11	V201-260-804-0	Bolt M8 x 40	2
12	V411-260-008-0	Washer 8	6
13	V401-160-008-0	Spring washer 8	4
14	V304-260-008-0	Nut M8	4

DRIVING (No. 1)

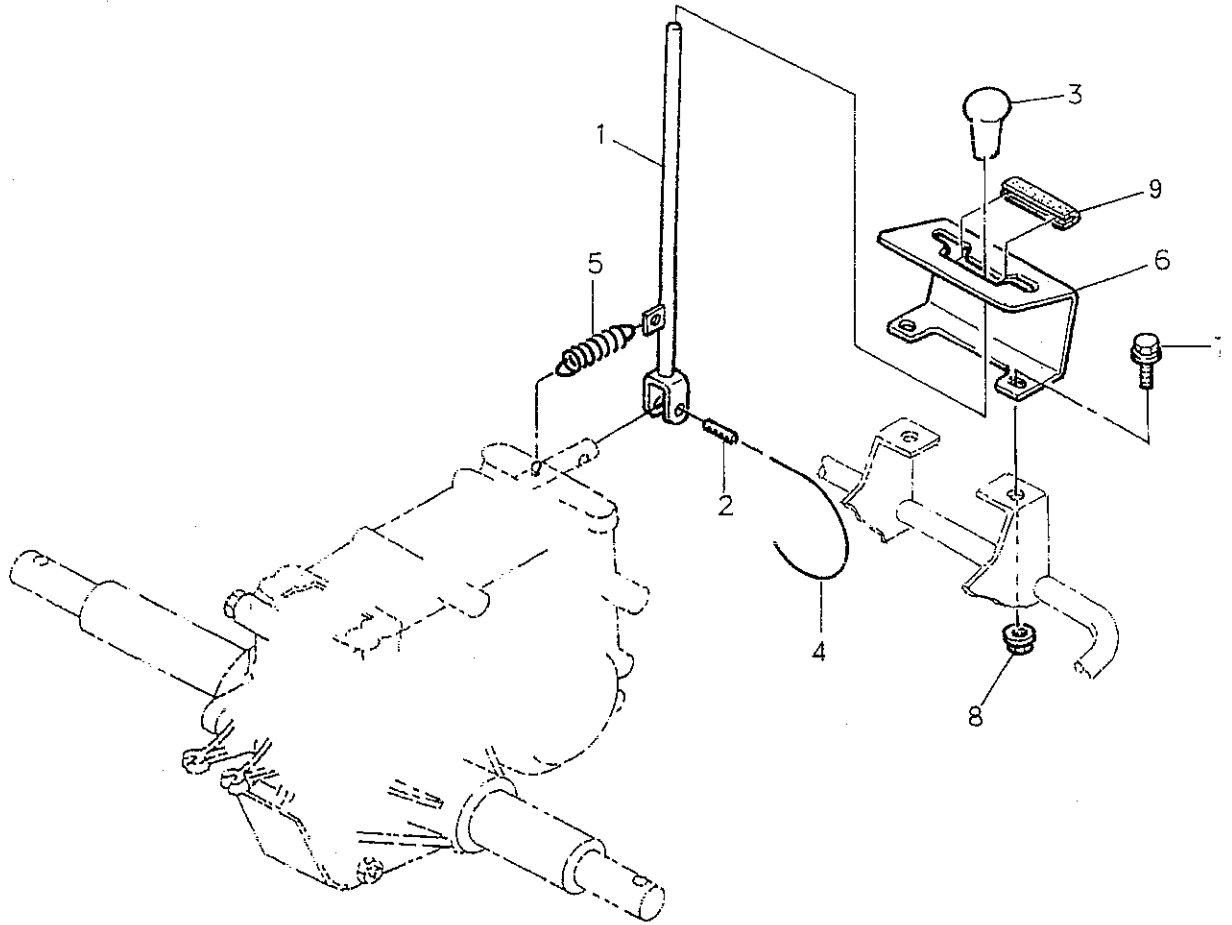


No.	Part No.	Part Description	Q'ty
1	0317-510-210-0	Transmission pulley	1
2	V300-260-010-0	Nut M10	1
3	8935-001-062-0	Metal washer	1
4	V401-160-010-0	Spring washer 10	1
5	8935-013-015-0	Coupling key	2
6	0332-520-011-0A	Engine pulley (XS)	1
7	3100-310-003-0	Engine pulley washer	1
8	V401-160-008-0	Spring washer 8	1
9	V201-460-803-0	Bolt M8 x 30 9T	1
10	0551-520-011-0	Belt (V-COG SA033HP4)	1
11	0331-510-210-0A	Belt stopper COMP	2
12	0332-615-210-0	Cover stay COMP	1
13	V211-360-802-0	Bolt (SP) M8 x 20	2
14	V201-260-806-0	Bolt M8 x 60	1
15	V304-260-008-0	Nut M8	1
16	3100-120-210-0A	Pulley cover stay	1
17	V211-360-801-6	Bolt (SP) M8 x 16	5
18	3100-120-001-0A	Pulley cover	1



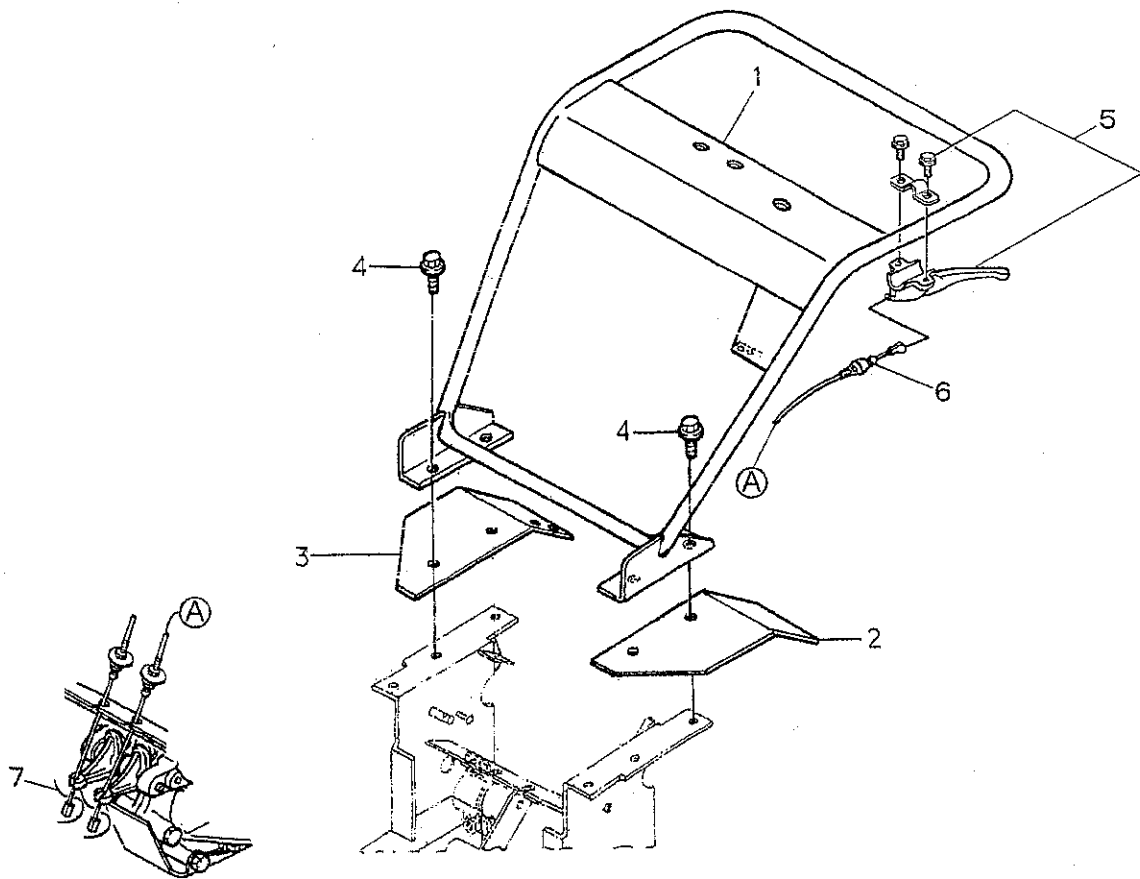
No.	Part No.	Part Description	Q'ty
1	0333-511-210-0	Tension arm (I)COMP	1
2	0331-511-011-0	Bearing	1
3	V705-140-047-0	Snap ring (hole) 47	1
4	8935-004-026-0	Counter tension pulley	1
5	V704-140-015-0	Snap ring (jig) 15	1
6	0332-521-011-0	Collar (18x25x12)	1
7	8935-004-048-0	Cover spring	1

LEVER/COVER (No. 1)



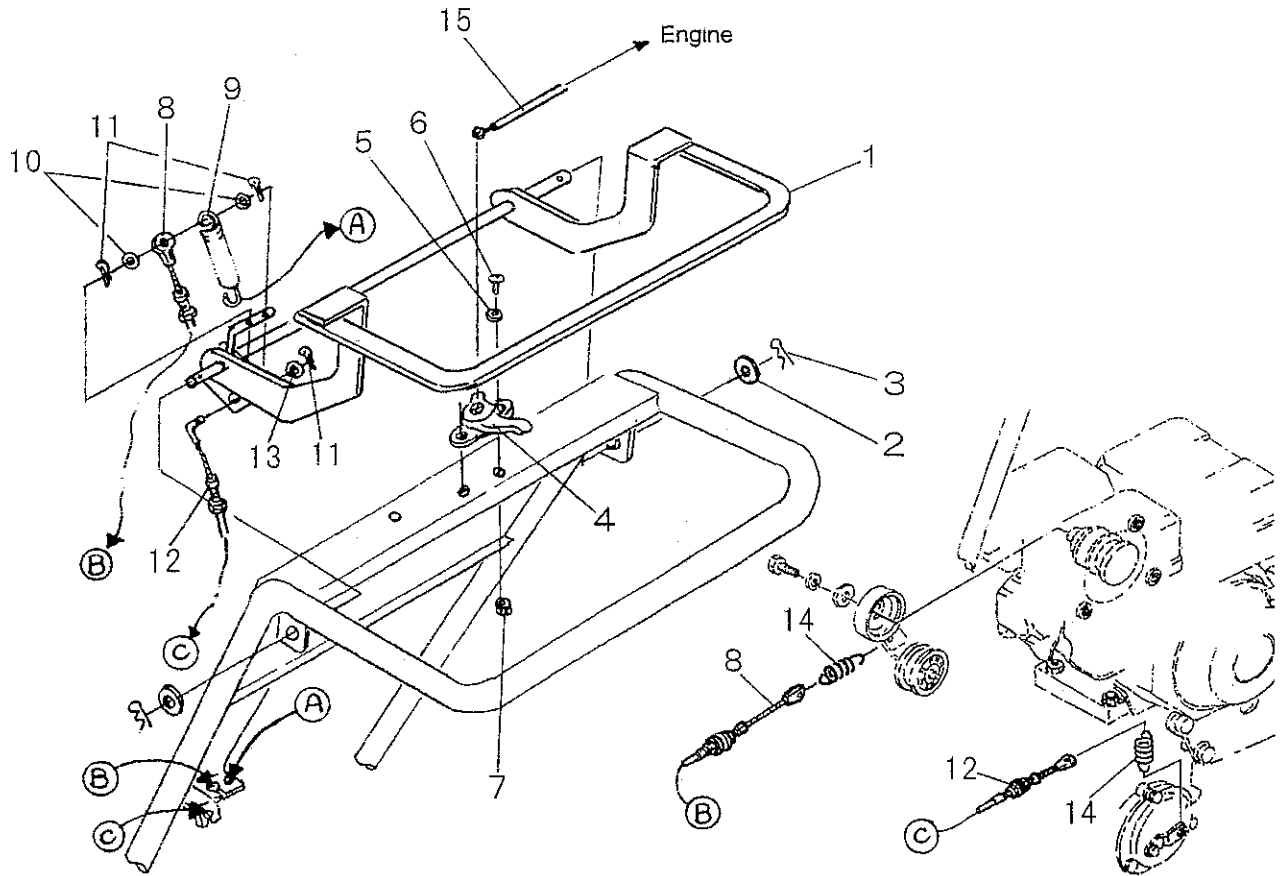
No.	Part No.	Part Description	Q'ty
1	0337-613-200-0	Change lever (LD)COMP	1
2	V580-140-603-2	Spring pin (W) 6 x 32	1
3	3517-105-004-0	Change grip	1
4	3536-111-008-0	Metal ware	1
5	8935-004-048-0	Cover spring	1
6	0337-614-012-0	Change plate (XG30)	1
7	V210-160-801-6	Bolt (P) M8 x 16	2
8	V362-260-008-0	Nut with washer M8	2
9	0382-610-012-1A	Guide rubber (40)	1

LEVER/COVER (No. 2)



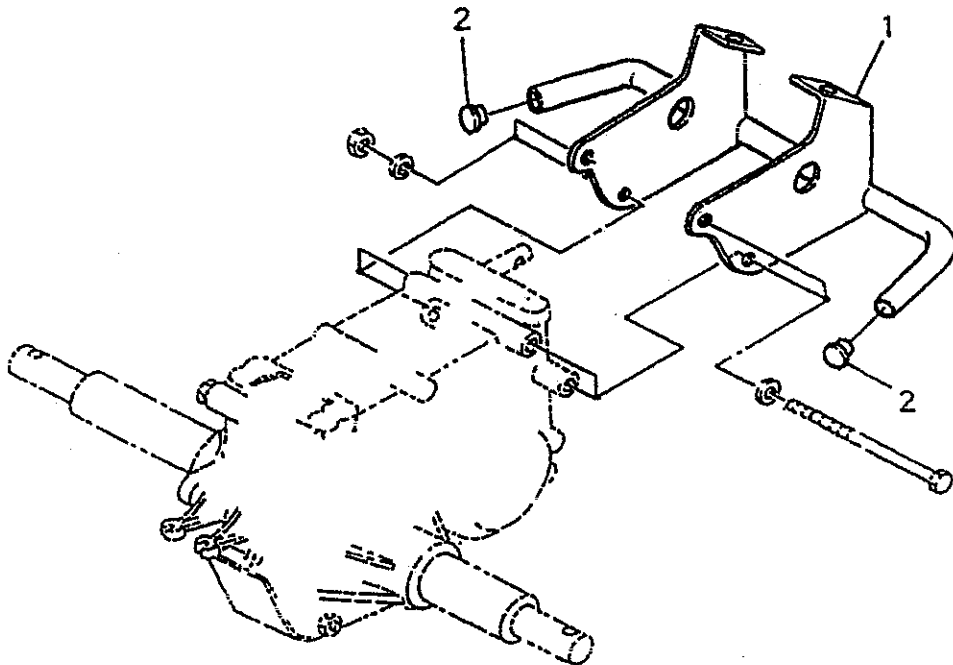
No.	Part No.	Part Description	Q'ty
1	0337-622-200-1A	Handle (XG30)COMP	1
2	0337-620-015-1B	Fender (A)(L)	1
3	0337-620-016-1B	Fender (A)(R)	1
4	V211-361-002-5	Bolt (SP) M10 x 25	4
5	0383-622-250-0	Lever ASSY	2
6	0337-625-033-0A	Cable/Clutch	2
7	3536-111-008-0	Metal wire	2

LEVER/COVER (No. 3)



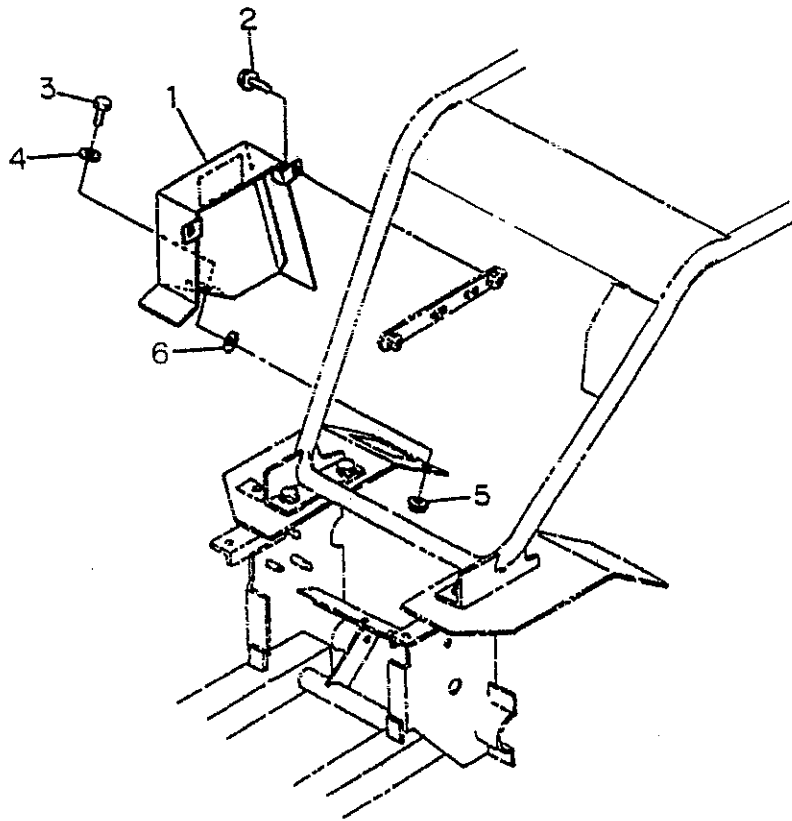
No.	Part No.	Part Description	Q'ty
1	0337-625-310-0	Clutch Lever	1
2	V411-260-012-0	Washer 12	2
3	1305-241-001-0A	Pin/wheel	2
4	0376-625-011-0	Lever/Throttle	1
5	V411-260-006-0	Washer 6	2
6	V111-166-001-2	Screw M6 x 12	2
7	V360-260-006-0	Nut (SP) M6	2
8	0337-625-031-0A	Cable/Drive	1
9	8935-004-032-0	Spring/Dropper	1
10	V411-260-008-0	Washer 8	2
11	V500-162-501-5	Split pin 2.5 x 15	3
12	0337-625-032-0A	Cable/Brake	1
13	3789-151-006-0	Ring	1
14	1317-401-004-0	Spring/Crutch	2
15	0337-625-031-0	Cable/Throttle	1

LEVER/COVER (No. 4)



No.	Part No.	Part Description	Q'ty
1	0337-624-250-0	Bumper (A)COMP	1
2	0332-260-011-0	Cap (16)	2

LEVER/COVER (No. 5)



No.	Part No.	Part Description	Q'ty
1	0337-637-200-0	Pulley cover (30)COMP	1
2	V210-360-601-2	Bolt (SP) M6 x 12	2
3	V200-250-601-6	Bolt M6 x 16	1
4	3789-151-006-0	Washer	1
5	V361-260-006-0	Nut M6	3
6	0772-810-015-0	Rubber washer (6)	1